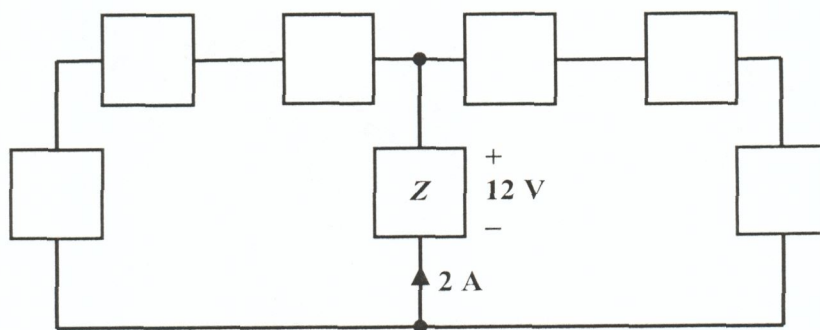


EE 2240
Problem #02

Does component Z deliver power or absorb power? How much?



The current and voltage do not
satisfy the Passive Sign Convention,
so component Z

$$\text{delivers } (12\text{V})(2\text{A}) = 24\text{ W}$$